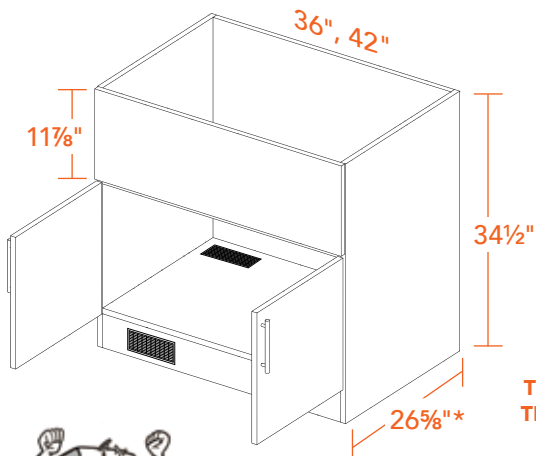


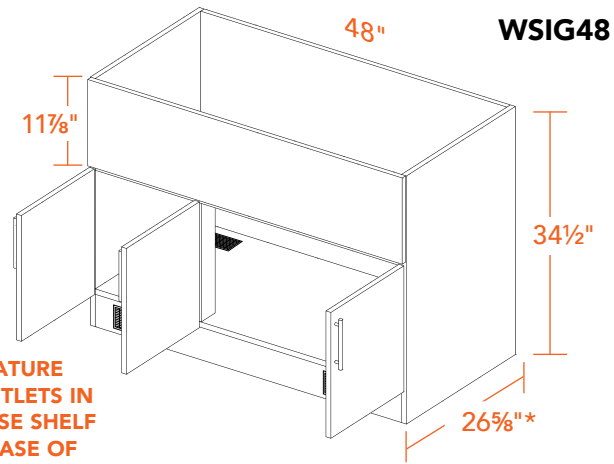
ISLAND BACK GRILL CABINETS

Island Back Grill Double Door Base



WSIG36
WSIG42

Island Back Grill Three Door Base



WSIG48

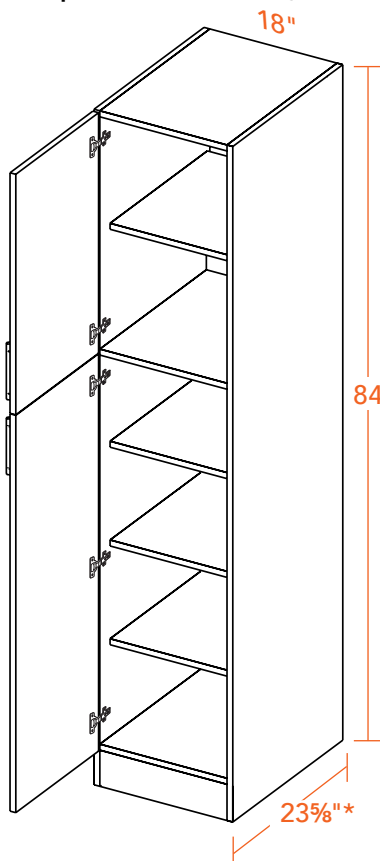
GRILL CABINETS FEATURE TWO VENTILATION OUTLETS IN THE TOE KICK AND BASE SHELF ALLOWING THE RELEASE OF POSSIBLE HEAT BUILD UP



GRILL CABINETS ARE MANUFACTURED WITH A FULL UPPER FACE PLATE THAT WILL NEED TO BE MODIFIED IN FIELD TO ACCEPT THE RESPECTIVE HEAT LINER USED WITH THE GAS GRILL. UNDER NO CIRCUMSTANCE SHOULD A GRILL BE INSTALLED WITHOUT THE APPROPRIATE HEAT LINER SPECIFIED BY THE GRILL MANUFACTURER.

OPEN BACK UTILITY CABINETS

Open Back Utility Cabinet

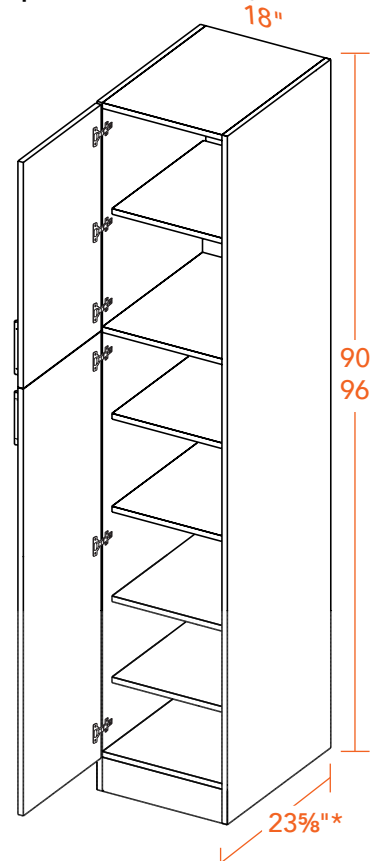


SPECIFY RIGHT or LEFT HINGED (left shown)

WSOU1884

- 4 full depth adjustable shelves
- (3) 10" mounting rails - top, middle, bottom

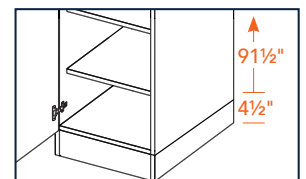
Open Back Utility Cabinet



SPECIFY RIGHT or LEFT HINGED (left shown)

WSOU1890
WSOU1896

- 5 full depth adjustable shelves
- (3) 10" mounting rails - top, middle, bottom



PLEASE NOTE

96" HIGH UTILITY CABINET IS A 91.5" HIGH CABINET INSTALLED ON A 4.5" HIGH PEDESTAL BASE

